

# EL<sup>®</sup>MARK

The Brand of Electricity

## LED PANELS

## ELMARK



### GENERAL INFORMATION »

- ∴ Rated voltage: 185-265VAC
- ∴ Power: 24W; 36W; 45W; 48W; 60W
- ∴ Power supply: control gear, DC device - driver
- ∴ Light source: SMD 4014
- ∴ Colour temperature: 4000K; 6400K
- ∴ Housing: White; Aluminium frame, no change of color over time
- ∴ Diffuser: even distribution of lights, without formation of lighter or darker spots
- ∴ Colour rendering index: Ra≥80
- ∴ Beam angle: 120°
- ∴ Average life: 30 000 hours
- ∴ Switch on/off: >15 000
- ∴ Starting time: < 0.5s
- ∴ Power factor: 0.9
- ∴ Protection against dust and moisture: IP40
- ∴ Available in variant with an emergency kit
- ∴ LED panels can be dimmed using a suitable dimmable driver and remote control.

### FEATURES »

- ∴ Completely replace traditional fluorescent lighting
- ∴ Safety, low voltage operation
- ∴ Suitable for mounting in suspended ceiling Armstrong type
- ∴ Emit a very pleasant and even light with very low glare factor due to the diffusion lens
- ∴ Low power consumption
- ∴ Instant light with maximum luminous flux
- ∴ Environmentally friendly - do not emit mercury and lead
- ∴ No ultraviolet and infrared rays
- ∴ Resistant to shock and vibration
- ∴ Suitable for home, offices, halls, shops, hospitals

# TECHNICAL SPECIFICATION SHEET

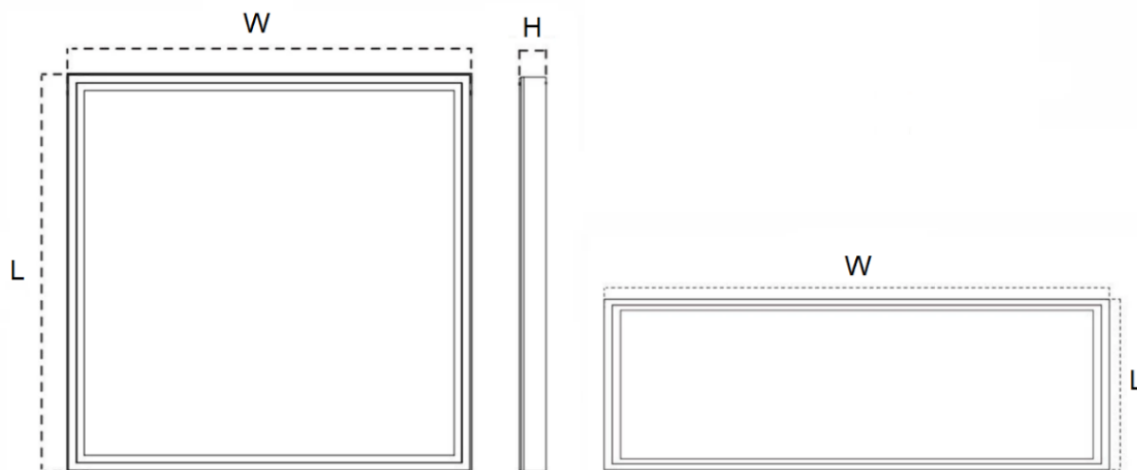
**ELMARK**<sup>®</sup>

The Brand of Electricity

## PRODUCT DETAILS »

Catalogue number	Catalogue number with Emergency kit	Additional function	Watt (W)	Whole fixture lumens (lm)	Colour temp. (K)	Colour body
92PANEL012W	92PANEL012WE	-	24	2400	4000	white
92PANEL013W	92PANEL013WE	-	36	3600	4000	white
92PANEL018W	92PANEL018WE	Dimmable	45	4500	4000	white
92PANEL018	-	Dimmable	45	4500	4000	aluminium
92PANEL020W	92PANEL020WE	-	48	4800	4000	white
92PANEL020CW	92PANEL020CWE	-	48	4800	6400	white
92PANEL021W	92PANEL021WE		48	4800	4000	white
92PANEL030W	92PANEL030WE	With clips	48	4800	4000	white
92PANEL030CW	92PANEL030CWE	With clips	48	4800	6400	white
92PANEL031W		High power	60	6000	4000	white
92PANEL031CW		High power	60	6000	6400	white

## DIMENSIONS »



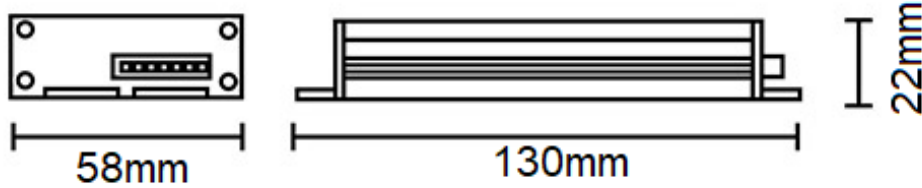
Catalogue number	Length (mm)	Width (mm)	Height (mm)
92PANEL012W	295	295	11
92PANEL013W	595	295	11
92PANEL018W	595	595	9
92PANEL018	595	595	9
92PANEL020W	595	595	30
92PANEL020CW	595	595	30
92PANEL021W	1195	295	30
92PANEL030W	595	595	9
92PANEL030CW	595	595	9
92PANEL031W	595	595	30
92PANEL031CW	595	595	30

## LED EMERGENCY KIT SPECIFICATIONS »

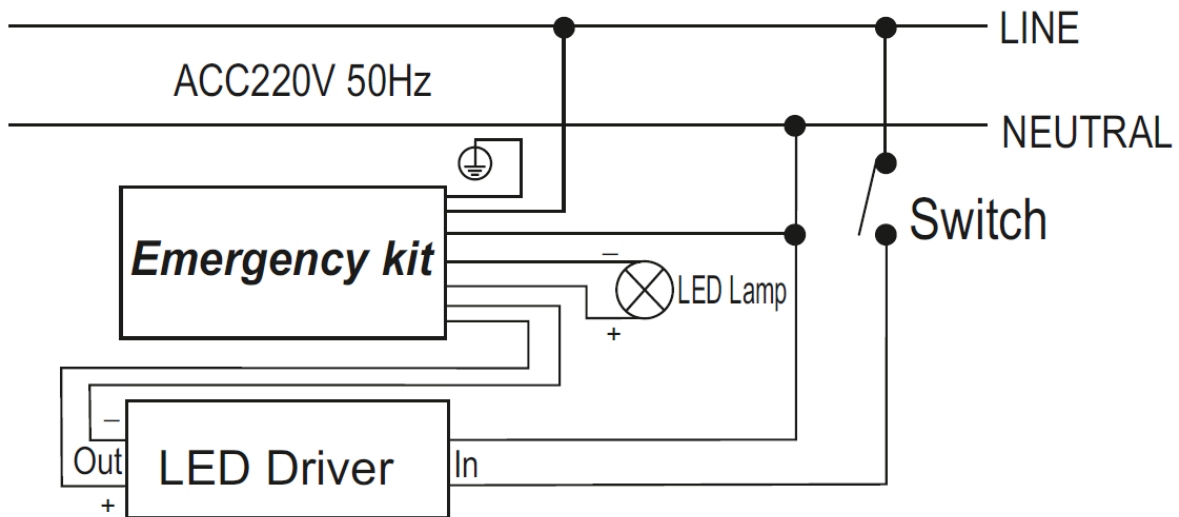


### General information »

- ∴ Voltage: AC85-265V 50Hz
- ∴ Emergency Output: 3-40W
- ∴ Emergency Time: 2hrs (120mins)
  - ∴ Battery: 3.7V 2400mAh
- ∴ Emergency Switching Time: <2s
  - ∴ AC Fuse: 250V 1A
  - ∴ DC Fuse: 250V 5A
- ∴ Luminous Flux: >100lm
  - ∴ Light Source: LED
- ∴ Working temperature: -10°C +55°C
  - ∴ IP Rate: IP30



### Wiring diagram



● - It indicates the connection

## ACCESSORIES FOR LED PANELS »



● Red = Charging ● Blue = Emergency ● Green = Power



» **Panel frame** for 595/595mm ceiling mounting white

Catalogue number: **92FRAME020W**

**Suitable for LED panels with height 30mm with catalogue numbers: 92PANEL020W, 92PANEL020CW, 92PANEL020WE, 92PANEL020CWE, 92PANEL031W and 92PANEL031CW**

» **Panel frame** for 295/1195mm ceiling mounting white

Catalogue number: **92FRAME021W**

**Suitable for LED panels with height 30mm with catalogue numbers 92PANEL021W, 92PANEL021WE**

» **Panel frame** for 595/595mm ceiling mounting white

Catalogue number: **92FRAME014W**

**Suitable for LED panels with height 9-11mm with catalogue numbers 92PANEL018W, 92PANEL030W, 92PANEL030CW, 92PANEL018WE, 92PANEL030WE and 92PANEL030CWE**

» **Suspension wire** for suspended mounting Catalogue number: **99ACC18**

**Suitable for all LED panels**

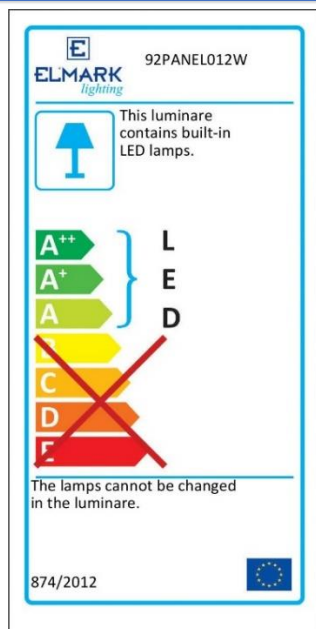
» **Clips for mounting** on plasterboard Catalogue number: **99ACC21**

**Suitable for LED panels with height 9-11mm with catalogue numbers 92PANEL018W, 92PANEL030W, 92PANEL030CW, 92PANEL018WE, 92PANEL030WE and 92PANEL030CWE**

» **Fasteners** for surface mounting Catalogue number: **99ACC22**

**Suitable for LED panels with height 9-11mm with catalogue numbers 92PANEL018W, 92PANEL030W, 92PANEL030CW, 92PANEL018WE, 92PANEL030WE and 92PANEL030CWE**

## ADDITIONAL INFORMATION »



Catalogue number	Barcode	Packing/Box (pcs)
92PANEL012W	3800131213914	1/12
92PANEL013W	3800131213921	1/6
92PANEL018W	3800131213938	1/5
92PANEL018	3800131192219	1/5
92PANEL020W	3800131229229	1/6
92PANEL020CW	3800131233219	1/6
92PANEL021W	3800131229236	1/6
92PANEL030W	3800131234230	1/6
92PANEL030CW	3800131234247	1/6
92PANEL031W	3800131237408	1/5
92PANEL031CW	3800131237415	1/5